



Note: Opening should be flashed with the appropriate flashing material to meet industry standards. Please refer to Federal Specification UU-B-790a and AAMA 2400-02.

Frame Installation

1. Verify that the rough opening is the correct size to assure the door will fit in the opening.
2. Check to ensure that the floor where the door will be installed is level. If the floor is not level, correct prior to installation.
3. Remove the frame components from its packaging and lay it out in front of the opening.
4. Prepare Frame by applying compatible sealant around the perimeter of both ends of the frame head and sill (Sealant should conform to AAMA 802.3-16 and 803.3-16). Use the screws provided in the hardware box (use wax to lubricate screws) to assemble the frame as shown in figures 1a and 1b.

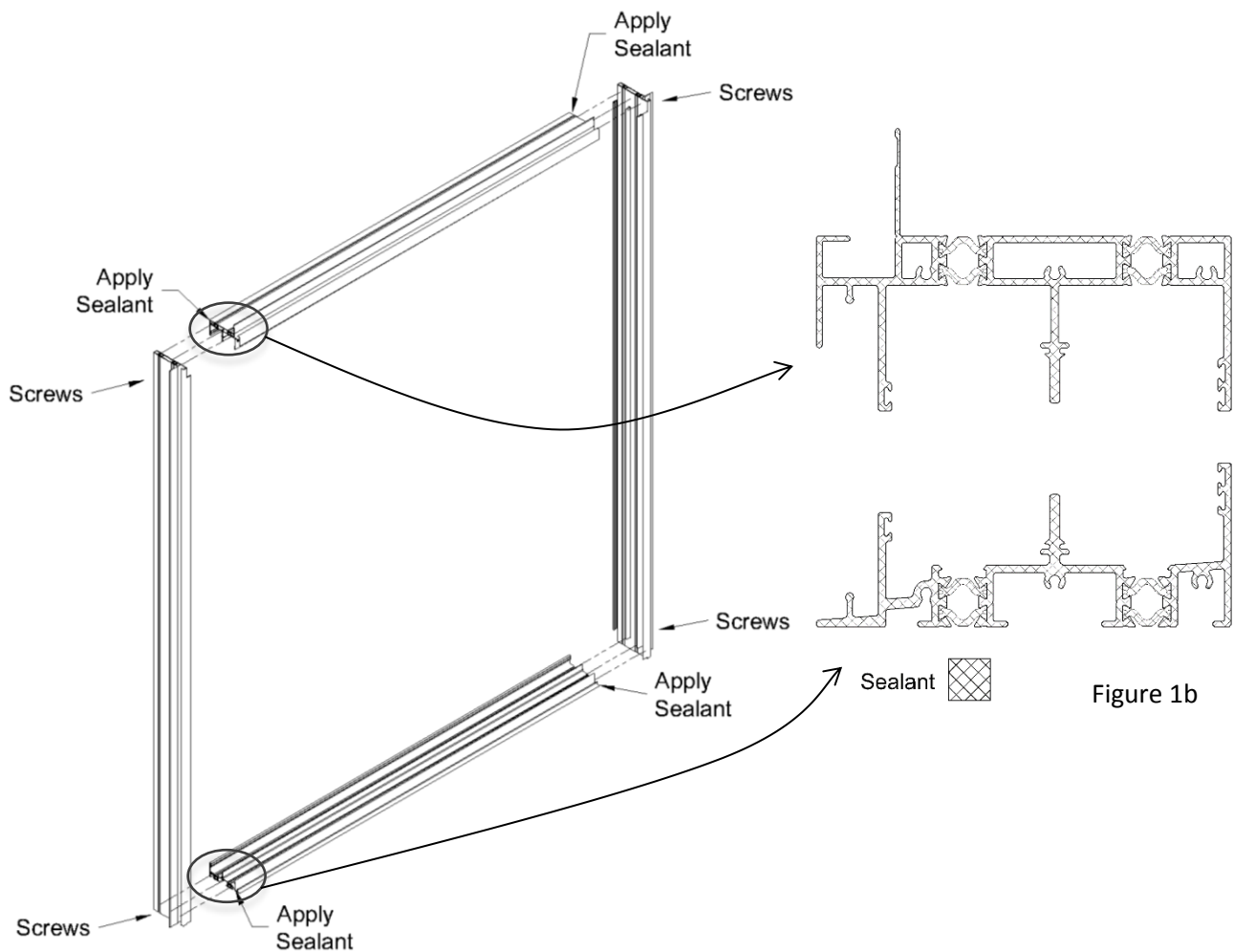


Figure 1a

Figure 1b

5. Prepare rough opening by checking diagonal dimension of opening to verify square and apply water resistant barrier as shown in figure 2a. Use steps A through C for applying water resistance barrier. Use step D for installation of sill pan.
 - A. 12" Sill Wrap (3" wrapped into opening); Overlaps where sill Self-Adhering Sheet Membrane (SASM) will be by 1" (Self-adhered flashing is optional)
 - B. 12" Jamb SASM (3" wrapped into opening), overlaps Sill SASM by 1" and runs 2" beyond header opening
 - C. 6" Header Wrap (3" wrapped into opening), overlaps jamb SASM by 1"
 - D. (Sill pan is required on all door installs) Apply a 3/8" bead of sealant around the perimeter of the bottom side of the sill pan as shown in figure 2b (Sealant should conform to AAMA 802.3-16 and 803.3-16). Apply glue on the sill in the opening to secure the sill pan.

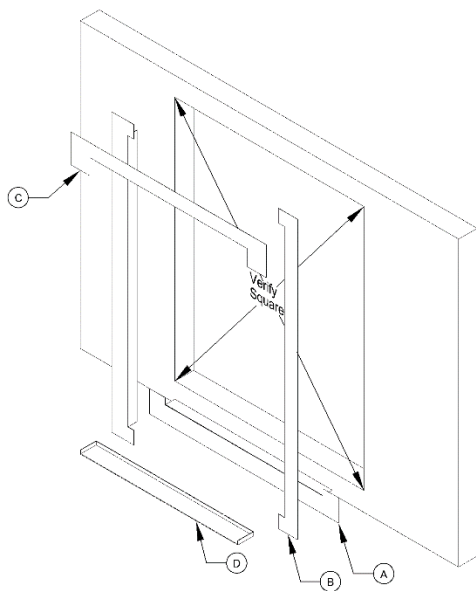


Figure 2a

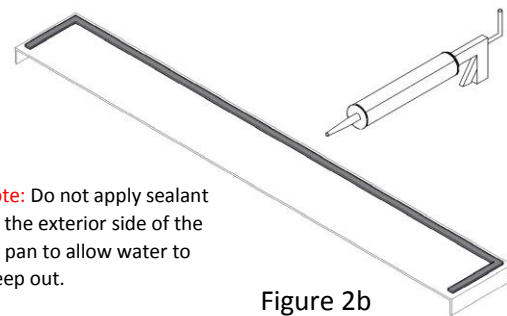


Figure 2b

6. Clean the nail fin on the interior side with a moist rag (wetted with water) so that the nail fin is free from dirt and other construction debris and dry it with a dry clean rag or allow it to air dry.
7. Apply a continuous bead of sealant on the nail-fin (interior side as shown in figure 3a) around the perimeter of the frame shown in figure 3b. (Sealant should conform to AAMA 802.3-16 and 803.3-16).

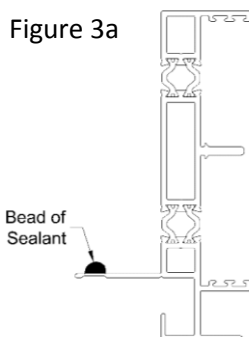
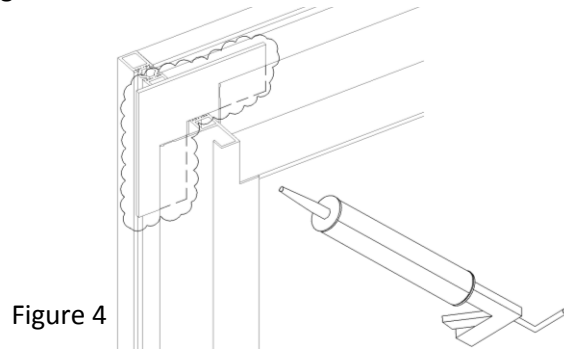


Figure 3a

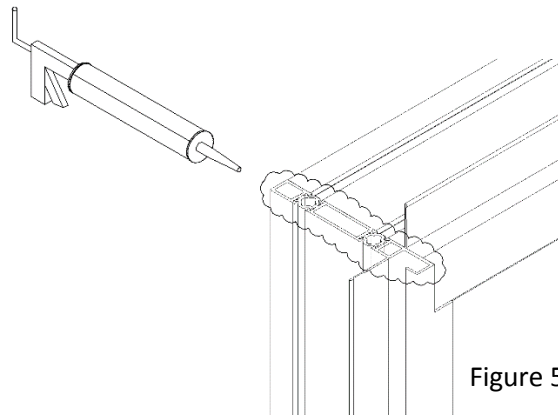


Figure 3b

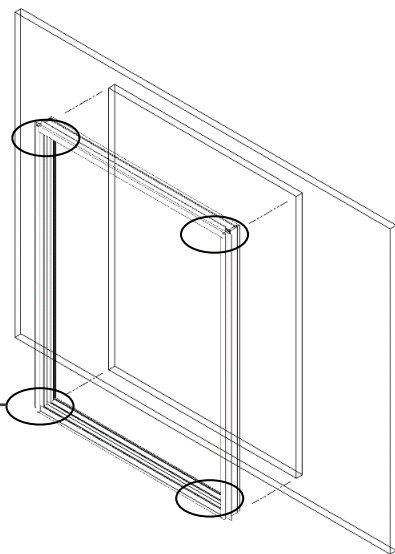
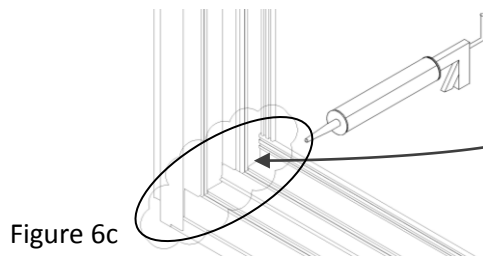
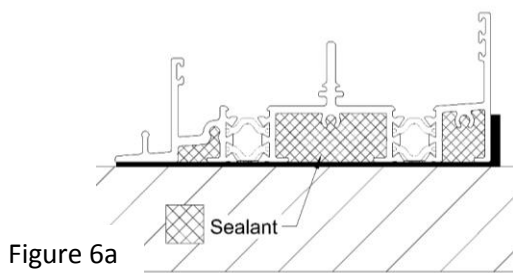
- Apply sealant to the backside of the 2 L-brackets and install the brackets at upper corners of the frame as shown in figure 4.



- Make sure that each corner joint of the frame has sufficient sealant. Apply additional sealant to the corner joints as necessary to ensure a watertight seal as shown in figure 5.



- Apply a continuous bead of sealant across the entire sill of the opening where the door frame will sit as shown in figure 6a and insert door frame into the opening as shown in figure 6b. (Sealant should conform to AAMA 802.3-16 and 803.3-16). After frame is installed seal all 4 corner per detail 6b and 6c.



- Secure door frame to the opening using appropriate fasteners. Install screws on the linear fin indicator as shown in figure 7a; spacing to be as shown in figure 7b where A = 12" and B = 3". Cross measure and use shims as necessary to adjust the door frame so that the door frame is plumb, level and square. Seal all the fasteners with compatible sealant.

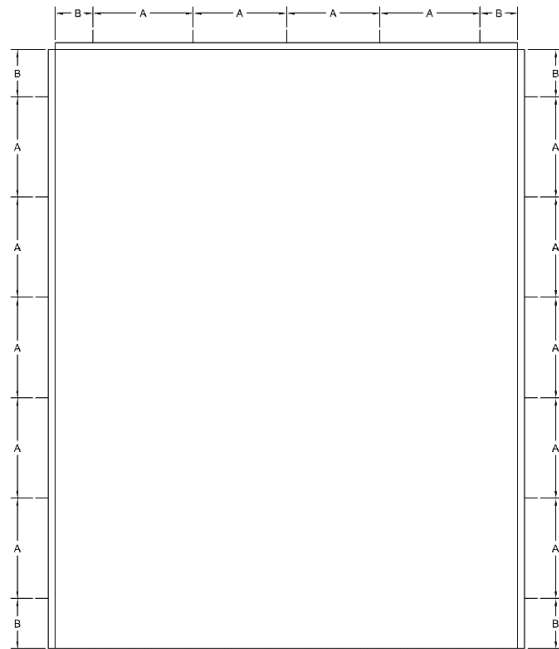
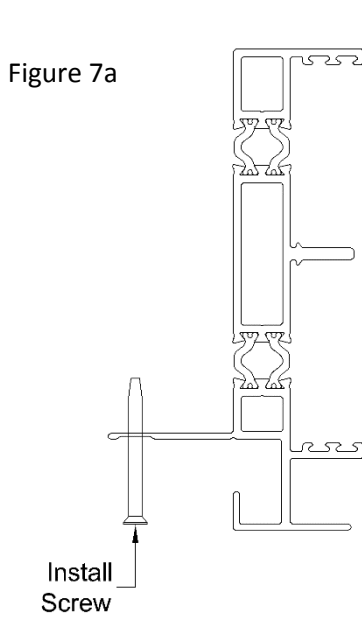


Figure 7b

- Apply backer rod and compatible sealant to the interior joint between the frame and the rough opening.

Panel Installation

- Install the sliding panel into the interior frame track. (If installing an OXXO door, install both sliding panels on the interior track. If installing an OXX or XXO door, install the locking panel to the interior track and the additional rolling panel in the center track. Shown in figures 8a and 8b) Use a putty knife if necessary to lift rollers over the center weather strip track.

OXXO

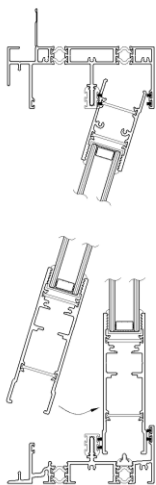


Figure 8a

OXX/XXO

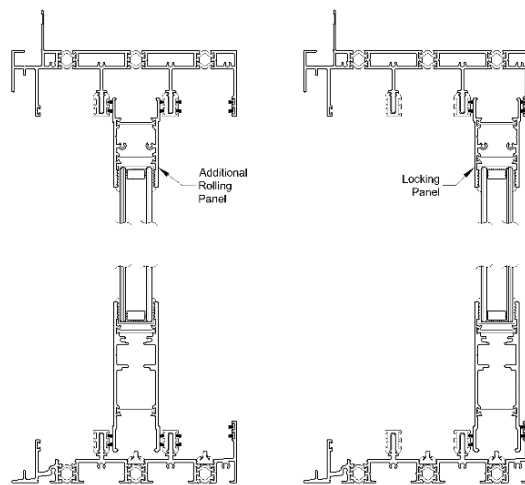
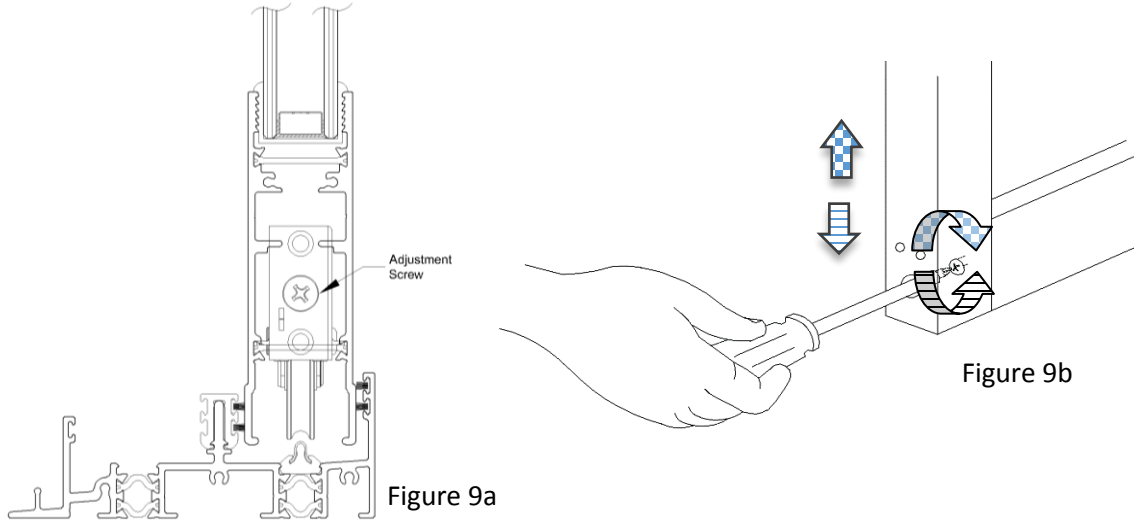
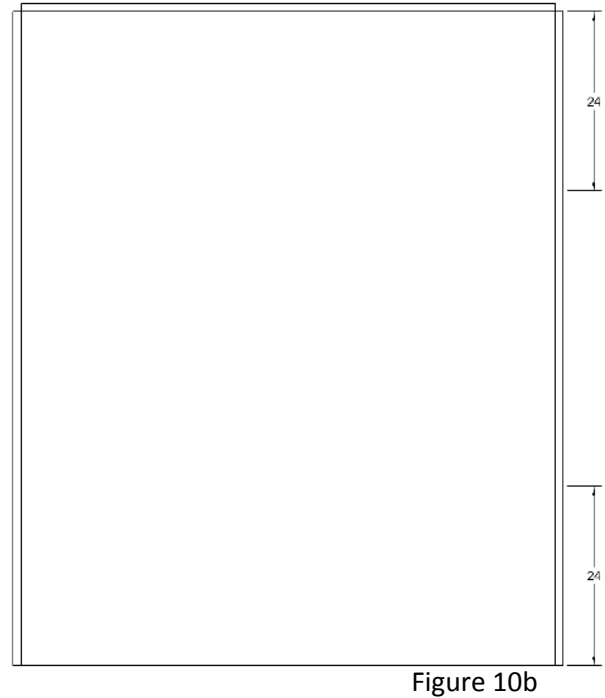
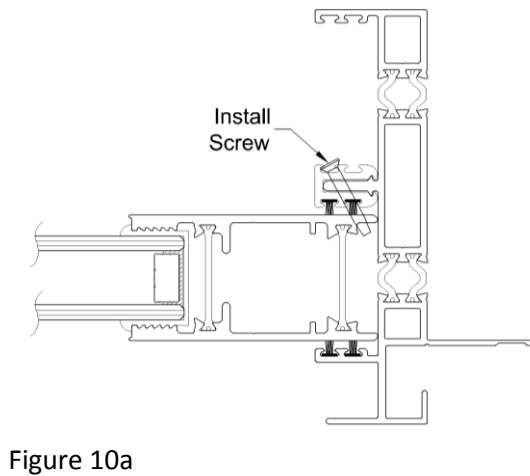


Figure 8b

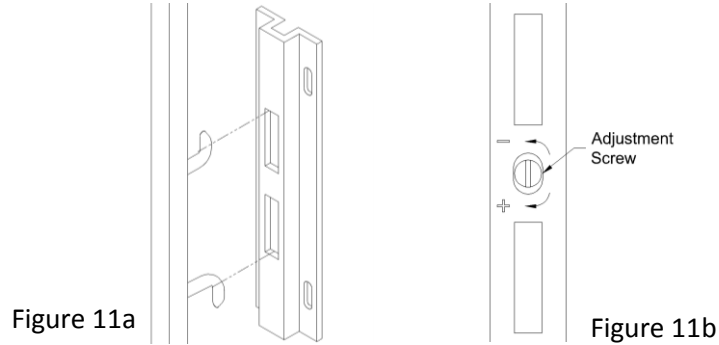
14. Temporarily adjust the rollers by turning the adjustment screw shown in figure 9a clockwise as shown in figure 9b until the sliding panels are raised off the sill track for ease of installation. Adjust the rollers of the active panels by turning the adjustment screw shown in figure 9a to achieve proper alignment of the door panels. Turn screw clockwise to raise the panel and counter clockwise to lower the panel as shown in figure 9b



15. Install the fixed panel into the exterior frame track. Secure fixed panel to the frame with the 2 screws provided in the hardware box (use wax to lubricate screws). Screw through the pre-drilled holes in the center weather strip track of the jamb at 24" above the sill and 24" below the head as shown in figures 10a and 10b.



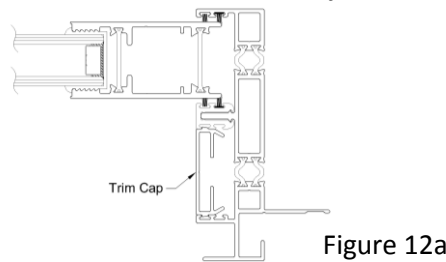
16. After the final roller adjustments, install the keeper into the lock side jamb by aligning with the hooks as shown in figure 11a (use wax to lubricate screws). After the keeper has be installed adjust the throw on the hooks of the lockset to ensure a tight fit when the door is closed and locked by turning the adjustment screw located between the hooks shown in figure 11b



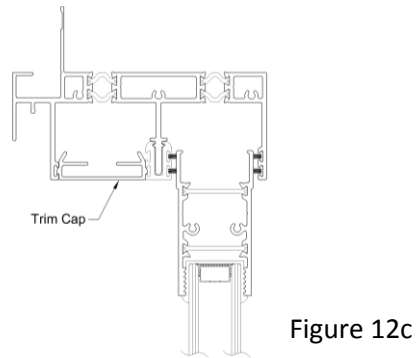
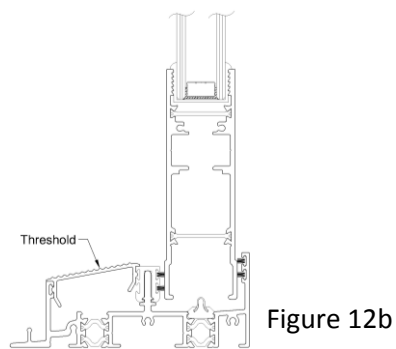
Trim Cap installation

For an OX or XO Door

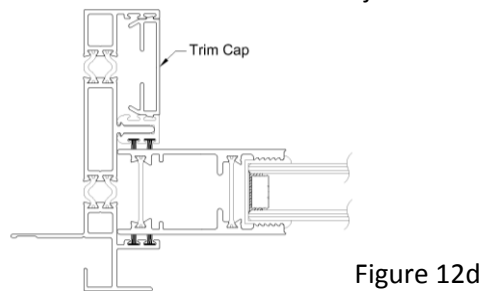
17. Take the longest trim cap piece and install it into the exterior jamb track shown in figure 12a.



18. Install the threshold into the exterior sill track and install the smallest trim cap into the head exterior track shown in figures 12b and 12c.



19. Take the remaining trim cap piece and install it into the interior jamb track shown in figure 12d.



For an OXXO Door

20. Install the threshold into the exterior track sill shown in figure 13a.

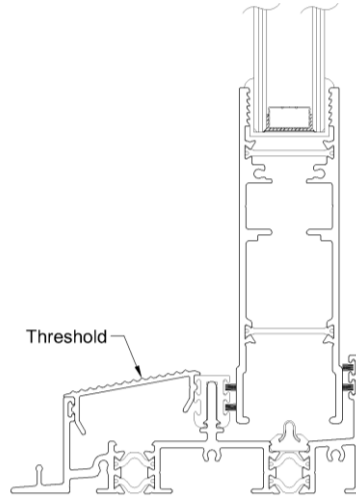


Figure 13a

21. Install the trim cap that is the same length as the threshold into the exterior track head shown in figure 13b.

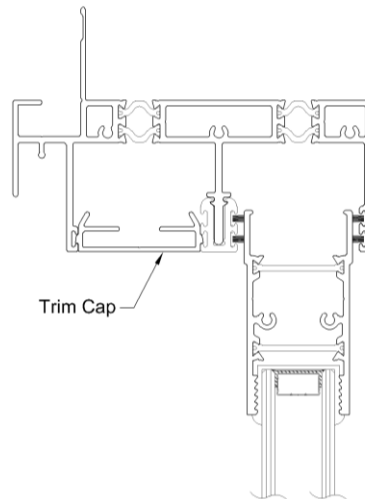


Figure 13b

22. Install the remaining trim caps into the interior jamb tracks shown in figure 13c.

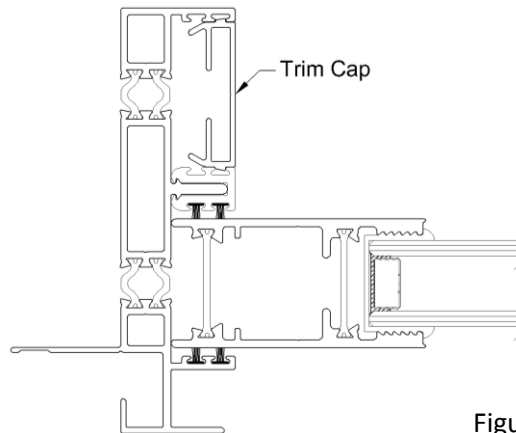


Figure 13c

For an OXX or XXO Door

23. Install the longest trim cap piece into the exterior and center jamb track shown in figure 14a.

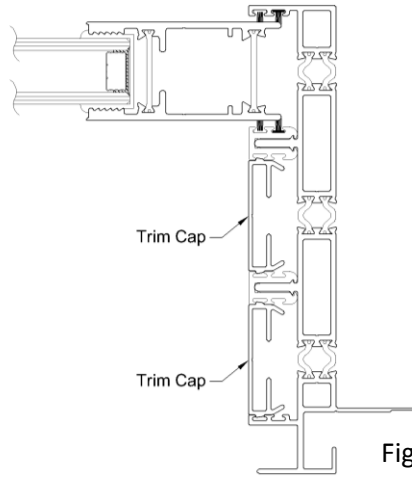


Figure 14a

24. Install the threshold into the exterior sill track shown in figure 14b and the trim cap of the same length into the exterior head track shown in figure 14c.

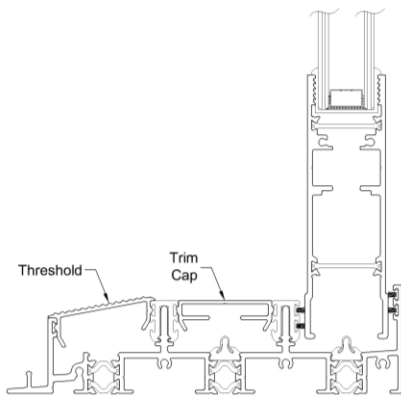


Figure 14b

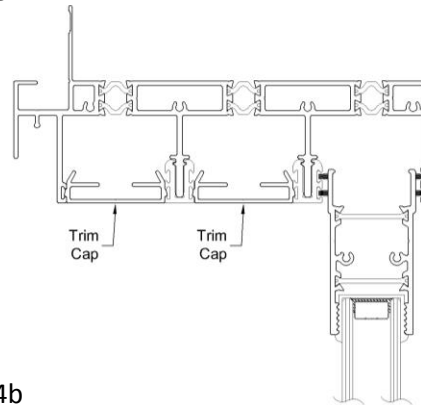


Figure 14c

25. Install the 2 remaining trim caps into the interior jamb tracks shown in figure 14d.

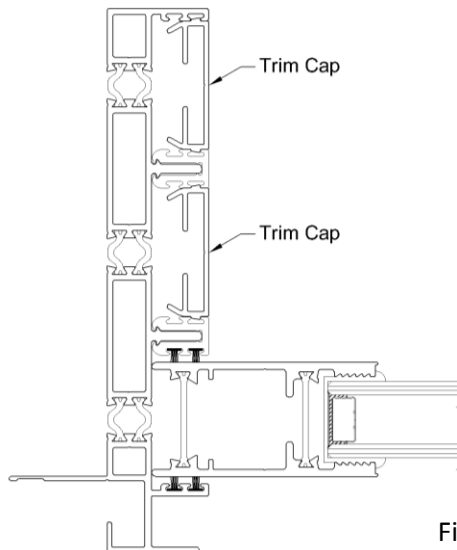


Figure 14d

Standard Handle installation

26. Install the standard handle by inserting the exterior and interior handle into the pre-drilled holes. Secure handle by installing the screws on the interior side as shown in figure 15.

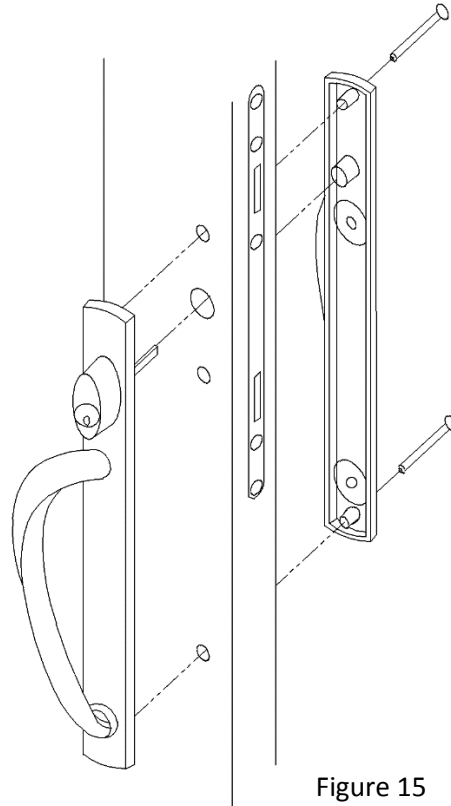


Figure 15