

NAIL ON | PANNING FRAME WINDOW INSTALLATION INSTRUCTIONS

Note: Opening should be flashed with the appropriate flashing material to meet industry standards. Please refer to Federal Specification UU-B-790a and AAMA 2400-10.

1. Verify that the rough opening is the correct size to assure that the window will fit in the opening.
(Rough opening should be $\frac{1}{2}$ " bigger than the window's net width and height).
2. Prepare rough opening as shown in Figure 1 and using steps A through D.
 - A) Secure two Lightning Flash Corners (or equivalent) to sill corners.
 - B) 12" Sill Wrap (3" wrapped into opening); Overlaps where sill Self-Adhering Sheet Membrane (SASM) will be by 1"
 - C) 12" Jamb SASM (3" wrapped into opening), overlaps Sill SASM by 1" and runs 2" beyond header opening
 - D) 6" Header Wrap (3" wrapped into opening), overlaps jamb SASM by 1"

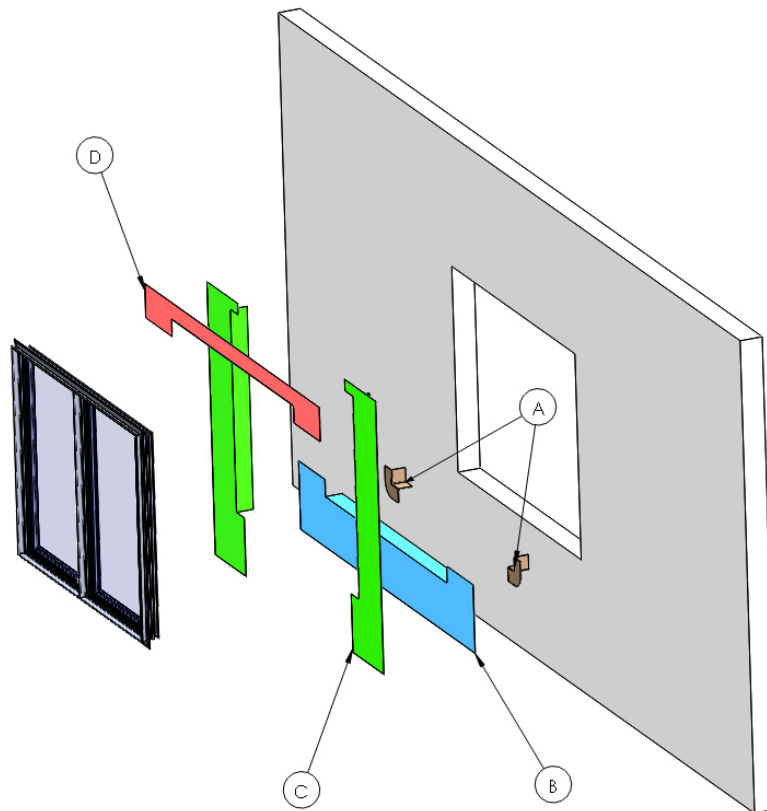


Figure 1

(Flashing color for reference only)

NAIL ON | PANNING FRAME WINDOW INSTALLATION INSTRUCTIONS

- Clean the nail fin on the interior side with a moist rag (wetted with water) so that it is free from dirt and other construction debris and dry it with a dry clean rag or allow it to air dry.
- Apply a continuous bead of sealant on the nail fin (interior side as shown in Figure 2a) around the perimeter of the head and jambs as shown in Figure 2b. (Sealant should conform to AAMA 802.3-16 and 803.3-16)

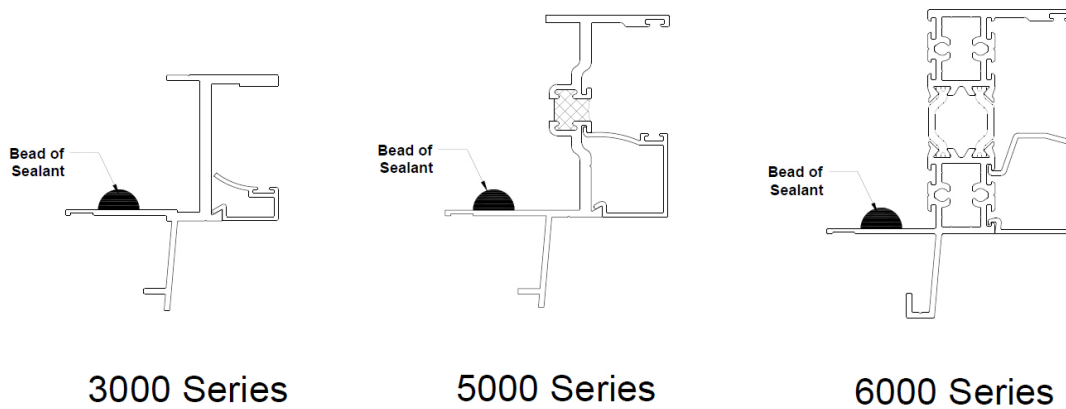


Figure 2a

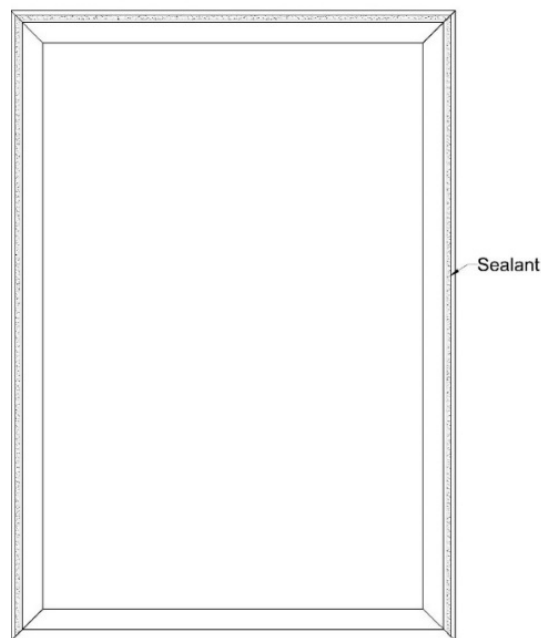


Figure 2b

NAIL ON | PANNING FRAME WINDOW INSTALLATION INSTRUCTIONS

5. Apply a discontinuous bead of sealant on the nail fin (interior side) at the sill with (2) 3" wide gaps (Shown in Figure 3) to allow any water that enters the opening to escape.
6. If sill is not level use high compression strength plastic or hardwood shims across the entire sill (Spaced per Figure 4b) to prevent sagging and insert the window into the opening (Shown in Figure 4a). Use shims as necessary to adjust the window so that it's plumb, level and square in the opening. A shim should be placed between 4" and 8" from each jamb to support the window without placing excess stress on the corner miter. Shims should be no more than 12" apart in order to fully support window. Any mullion member should have a shim directly supporting it. (See Figure 4b)



Figure 3

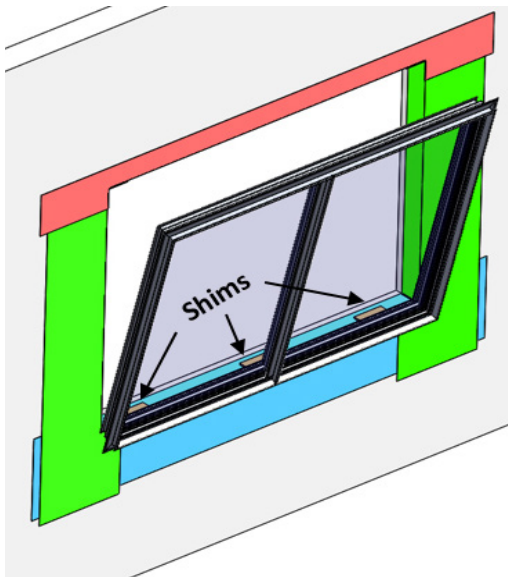


Figure 4a

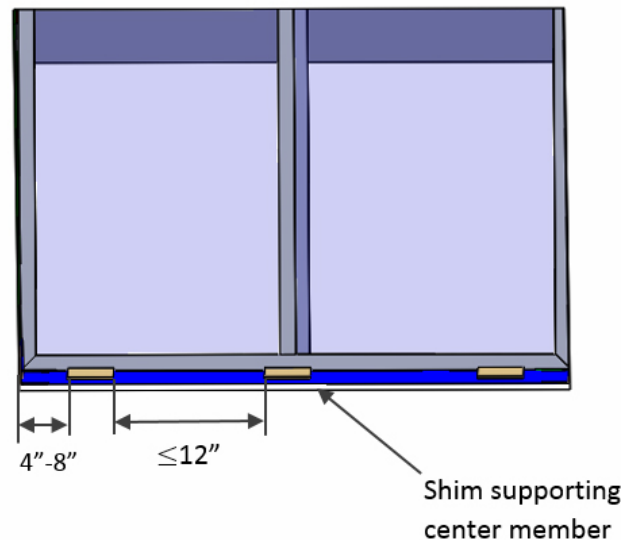


Figure 4b

NAIL ON | PANNING FRAME WINDOW INSTALLATION INSTRUCTIONS

7. Secure window using #10 x 2 1/2" stainless steel screws (or equivalent). Install screws on the linear fin indicator as shown in Figure 5a; spacing should be as shown in Figure 5b where A = 3" and B = 12". Holes for screws should be pre-drilled before installation.

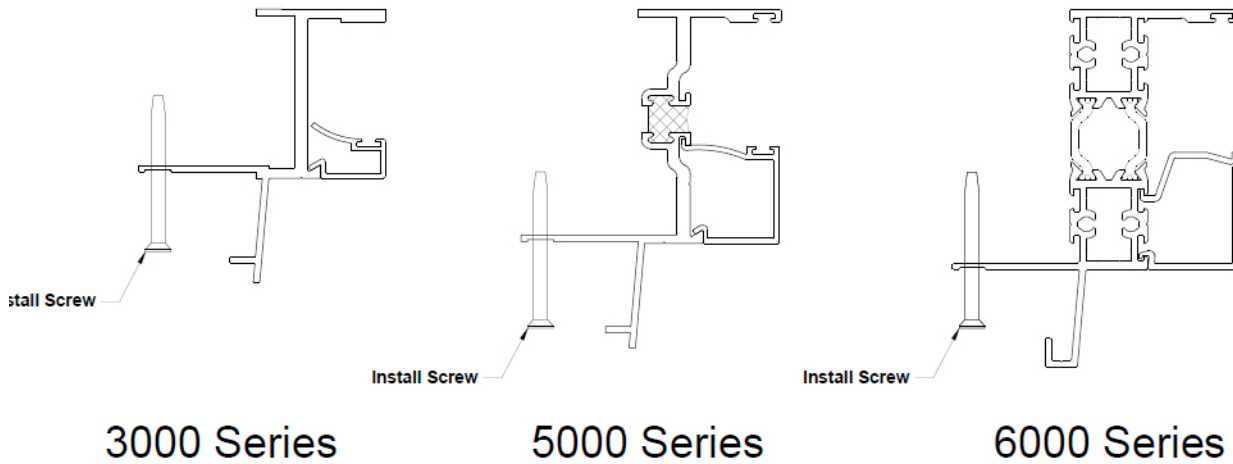


Figure 5a

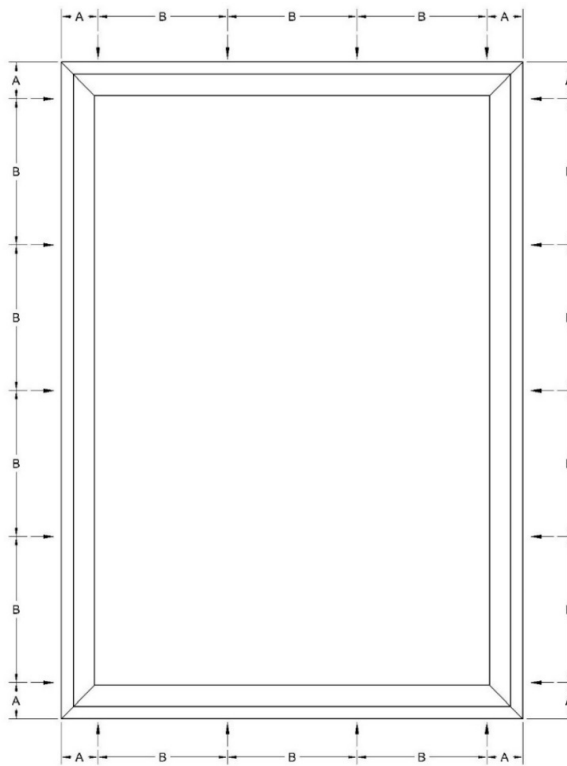


Figure 5b

NAIL ON | PANNING FRAME WINDOW INSTALLATION INSTRUCTIONS

8. If a window has a casement, add #10 x 2 1/2" stainless steel screws through the frame 2" above the top screw of each butt hinge. Make sure there are shims at the screw locations to prevent frame from collapsing. (See Figures 6a – 6d) Seal all screw heads.

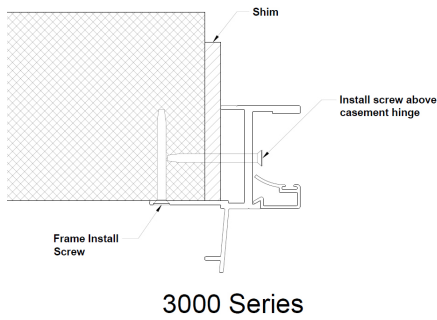


Figure 6a

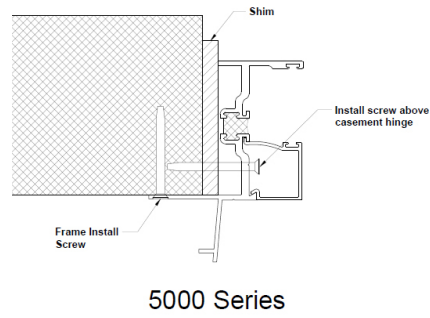


Figure 6b

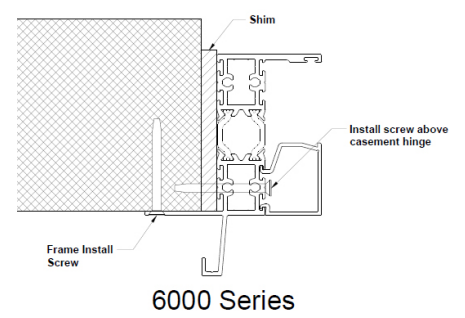


Figure 6c

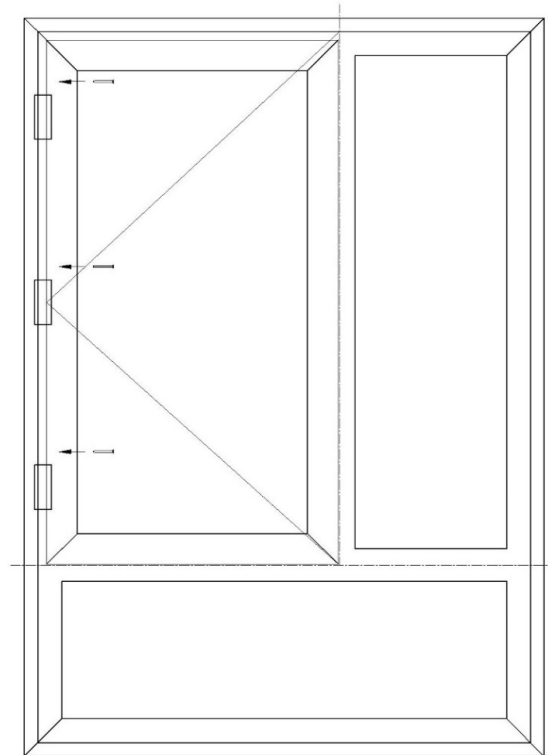


Figure 6d

NAIL ON | PANNING FRAME WINDOW INSTALLATION INSTRUCTIONS

9. Seal interior of window as shown below in Figure 7.

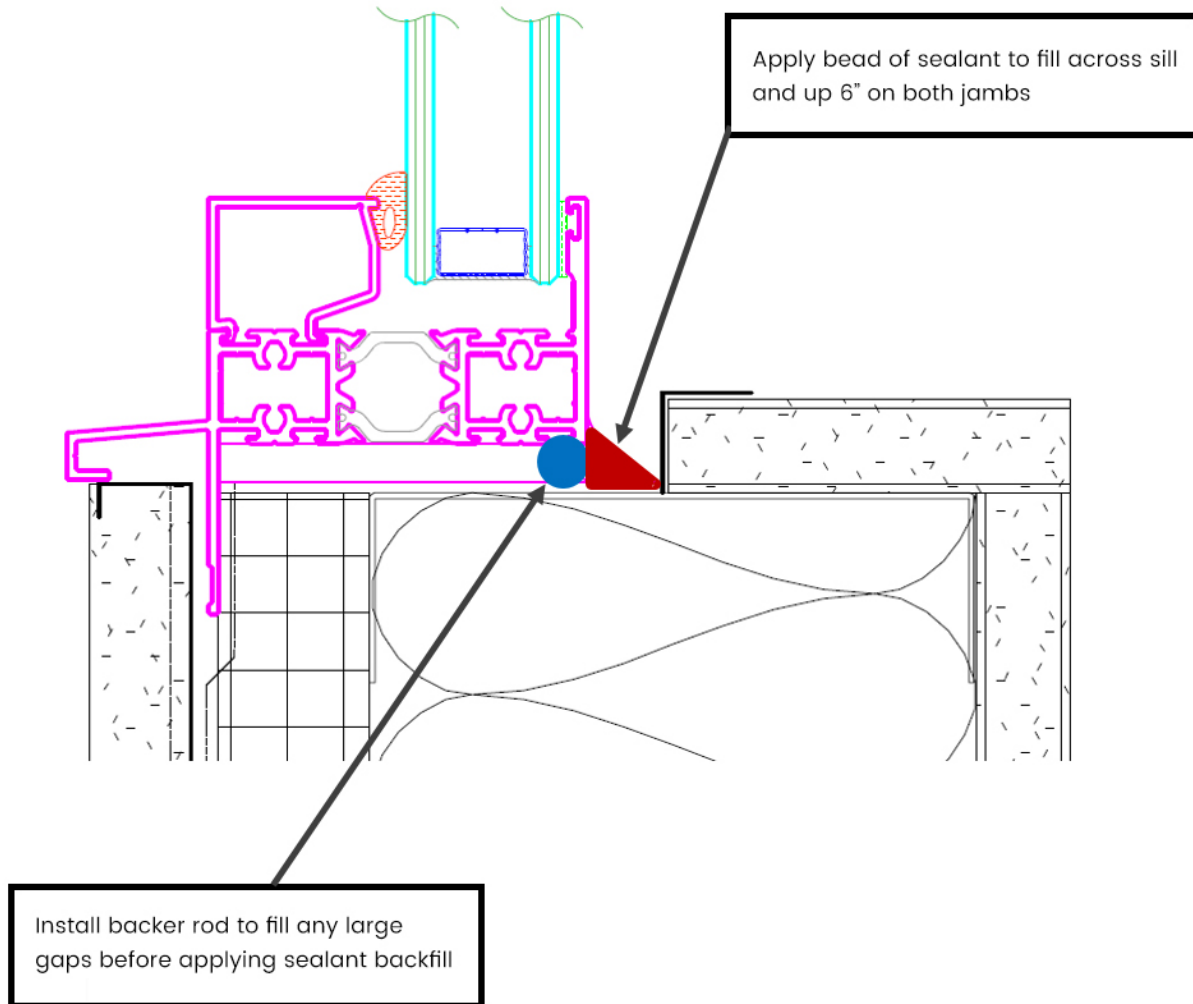


Figure 7

NAIL ON | PANNING FRAME WINDOW INSTALLATION INSTRUCTIONS

10. Install 6" SASM on jambs and then on head, 3" beyond nail fin. SASM should NOT be applied on sill nail fin to facilitate optimal weeping. Ensure that wall wrap is layered over head flashing and that jamb flashing is layered over wall wrap. See Figure 8 below.

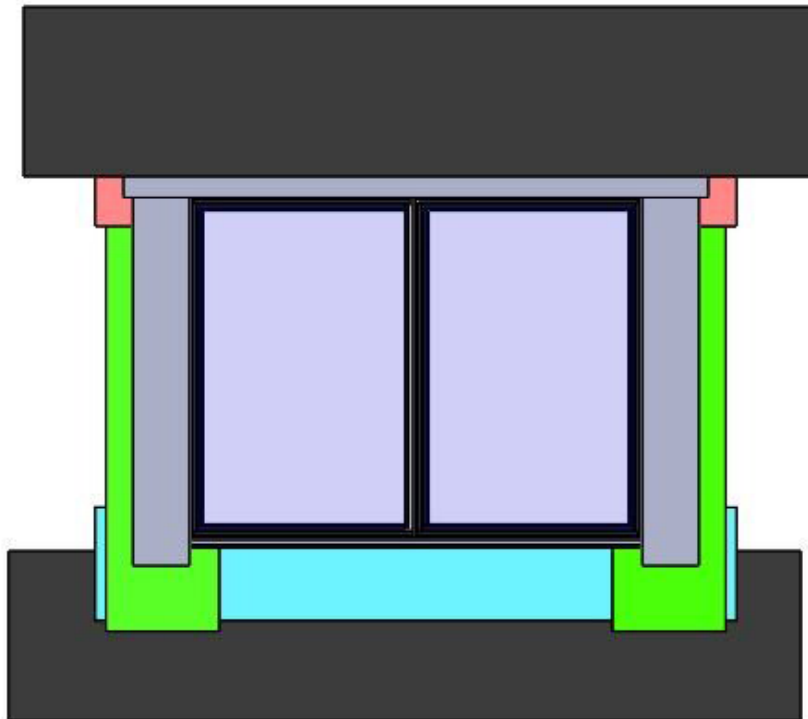


Figure 8