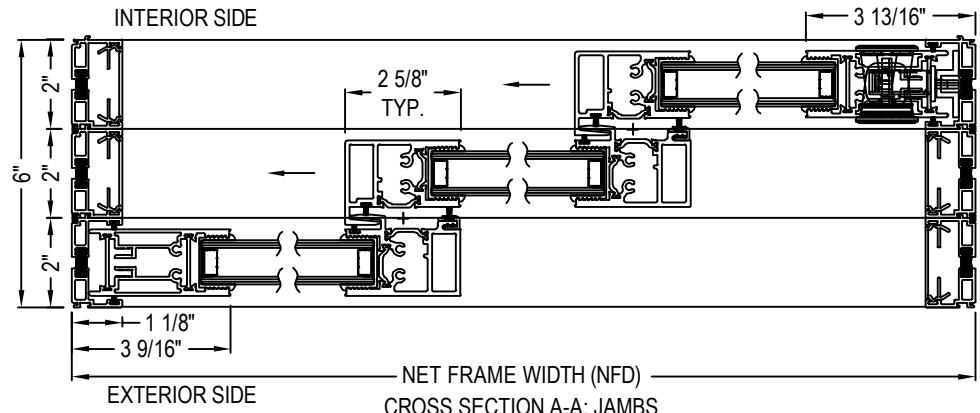


PLAN VIEW  
(SEEN FROM THE EXTERIOR)

CROSS SECTION B-B: HEAD / THRESHOLD  
W/ 3" ULTRAGLIDE ROLLERS



CROSS SECTION A-A: JAMBS

**SPECIFICATIONS**

- EQUAL LEG.
- POURED AND DE-BRIDGED (FRAME), STRUT (PANELS).
- 1" OA - TEMPERED IGU.
- NO SCREEN.
- 3" TANDEM ROLLERS.
- NO RISER.

**NOTES:**

1. INSTALLATION TO BE COMPLETED IN ACCORDANCE WITH MANUFACTURER'S SPECIFICATIONS.
2. DO NOT SCALE DRAWING.
3. THIS DRAWING IS INTENDED FOR USE BY ARCHITECTS, ENGINEERS, CONTRACTORS, CONSULTANTS AND DESIGN PROFESSIONALS FOR PLANNING PURPOSES ONLY. THIS DRAWING MAY NOT BE USED FOR CONSTRUCTION.
4. ALL INFORMATION CONTAINED HEREIN WAS CURRENT AT THE TIME OF DEVELOPMENT BUT MUST BE REVIEWED AND APPROVED BY THE PRODUCT MANUFACTURER TO BE CONSIDERED ACCURATE.
5. ADDITIONAL INFORMATION (MAY NOT BE VISIBLE) AVAILABLE IN MODEL SPACE.
6. CONTRACTOR'S NOTE: FOR PRODUCT AND COMPANY INFORMATION VISIT [www.CADdetails.com/info](http://www.CADdetails.com/info) AND ENTER REFERENCE NUMBER 4461-053



**SERIES 8100 DOORS - SLIDING**

SERIES 8100 DOORS: THERMALLY BROKEN STACKING DOOR - OXX - 3" ULTRAGLIDE ROLLERS, STANDARD SILL, NO SCREEN