



**ALL WEATHER**  
ARCHITECTURAL ALUMINUM

ALL WEATHER ARCHITECTURAL ALUMINUM

777 ALDRIDGE ROAD  
VACAVILLE, CA 95688

P: 707.452.1600

F: 707.452.1616

www.allweatheraa.com

SELECT DESIRED FINISH:

CLEAR ANODIZED CLASS

BRONZE ANODIZED CLASS

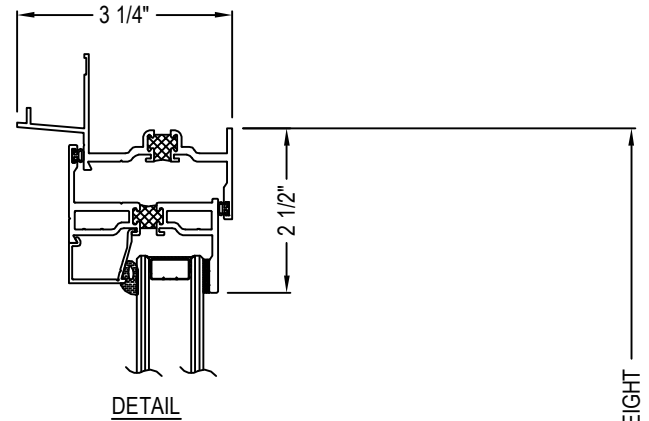
STANDARD WHITE

CUSTOM ANODIZED

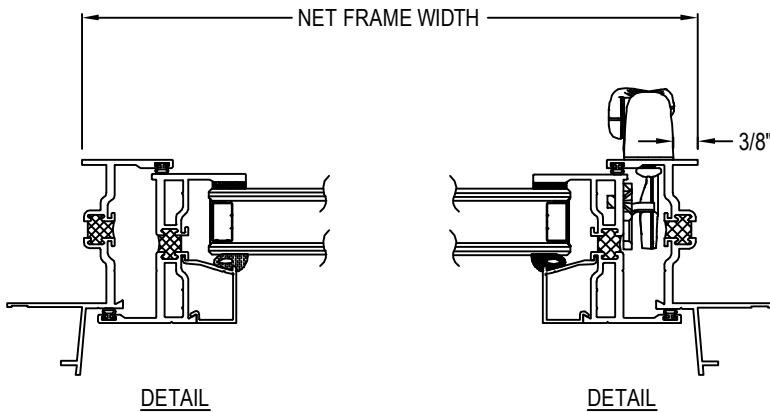
(SPECIFY CUSTOM COLOR \_\_\_\_\_)

CUSTOM 70% KYNAR PAINT

(SPECIFY CUSTOM COLOR \_\_\_\_\_)

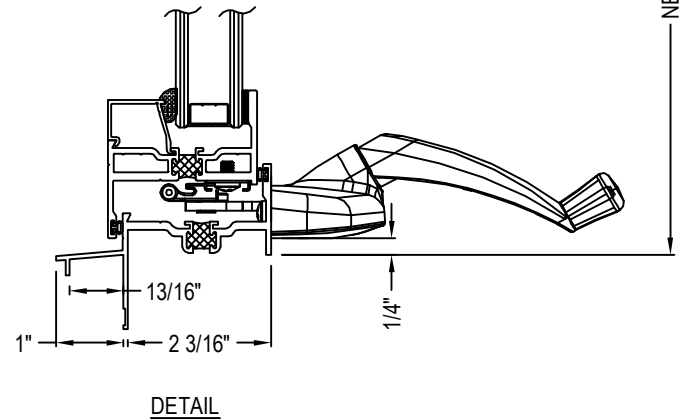


DETAIL



DETAIL

DETAIL



DETAIL

**FEATURES**

-2 1/4" FRAMES WITH MITERED CORNERS

-EXTERIOR GLAZED

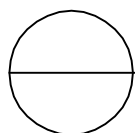
-FIXED, CASEMENT, AWNING AND HOPPER CONFIGURATIONS

-BEVELED BEAD AVAILABLE

-NAIL-ON, EQUAL LEG, COMP. CHANNEL, AND INTEGRAL RECESSED PANNING FRAME OPTIONS

**NOTES:**

1. INSTALLATION TO BE COMPLETED IN ACCORDANCE WITH MANUFACTURER'S SPECIFICATIONS.
2. DO NOT SCALE DRAWING.
3. THIS DRAWING IS INTENDED FOR USE BY ARCHITECTS, ENGINEERS, CONTRACTORS, CONSULTANTS AND DESIGN PROFESSIONALS FOR PLANNING PURPOSES ONLY. THIS DRAWING MAY NOT BE USED FOR CONSTRUCTION.
4. ALL INFORMATION CONTAINED HEREIN WAS CURRENT AT THE TIME OF DEVELOPMENT BUT MUST BE REVIEWED AND APPROVED BY THE PRODUCT MANUFACTURER TO BE CONSIDERED ACCURATE.
5. ADDITIONAL INFORMATION (MAY NOT BE VISIBLE) AVAILABLE IN MODEL SPACE.
6. CONTRACTOR'S NOTE: FOR PRODUCT AND COMPANY INFORMATION VISIT [www.CADdetails.com/info](http://www.CADdetails.com/info) AND ENTER REFERENCE NUMBER 4461-005



**SERIES 5000 WINDOWS**

SERIES 5000 WINDOWS: STANDARD NAIL ON - AWNING WITH CRANK HANDLE CONTOUR, CONCEALED HINGES, JAMB LATCH