



ALL WEATHER
ARCHITECTURAL ALUMINUM

ALL WEATHER ARCHITECTURAL ALUMINUM

777 ALDRIDGE ROAD
VACAVILLE, CA 95688

P: 707.452.1600

F: 707.452.1616

www.allweatheraa.com

SELECT DESIRED FINISH:

CLEAR ANODIZED CLASS

BRONZE ANODIZED CLASS

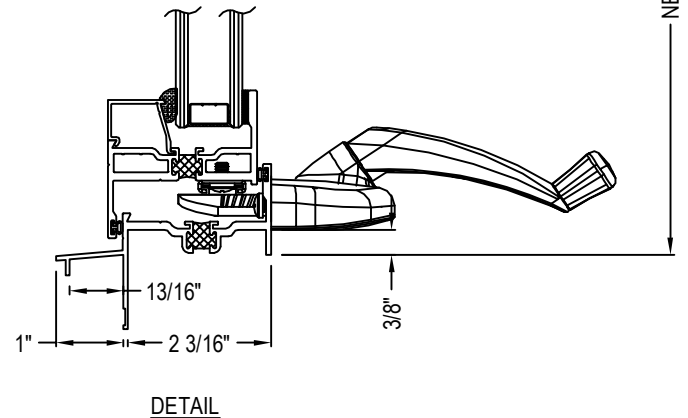
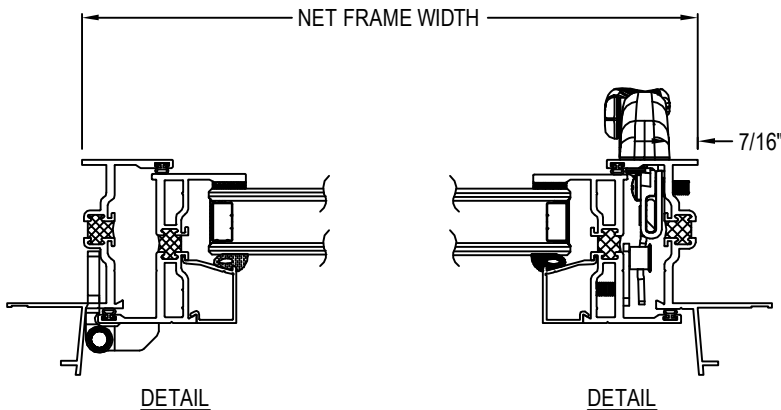
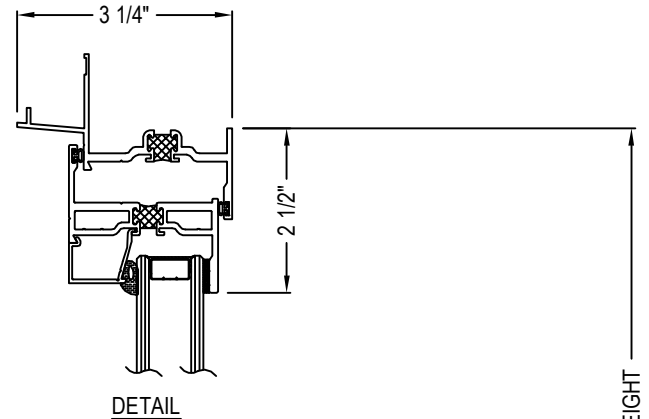
STANDARD WHITE

CUSTOM ANODIZED

(SPECIFY CUSTOM COLOR _____)

CUSTOM 70% KYNAR PAINT

(SPECIFY CUSTOM COLOR _____)



FEATURES

-2 1/4" FRAMES WITH MITERED CORNERS

-EXTERIOR GLAZED

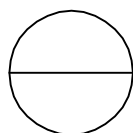
-FIXED, CASEMENT, AWNING AND HOPPER CONFIGURATIONS

-BEVELED BEAD AVAILABLE

-NAIL-ON, EQUAL LEG, COMP. CHANNEL, AND INTEGRAL RECESSED PANNING FRAME OPTIONS

NOTES:

1. INSTALLATION TO BE COMPLETED IN ACCORDANCE WITH MANUFACTURER'S SPECIFICATIONS.
2. DO NOT SCALE DRAWING.
3. THIS DRAWING IS INTENDED FOR USE BY ARCHITECTS, ENGINEERS, CONTRACTORS, CONSULTANTS AND DESIGN PROFESSIONALS FOR PLANNING PURPOSES ONLY. THIS DRAWING MAY NOT BE USED FOR CONSTRUCTION.
4. ALL INFORMATION CONTAINED HEREIN WAS CURRENT AT THE TIME OF DEVELOPMENT BUT MUST BE REVIEWED AND APPROVED BY THE PRODUCT MANUFACTURER TO BE CONSIDERED ACCURATE.
5. ADDITIONAL INFORMATION (MAY NOT BE VISIBLE) AVAILABLE IN MODEL SPACE.
6. CONTRACTOR'S NOTE: FOR PRODUCT AND COMPANY INFORMATION VISIT www.CADdetails.com/info AND ENTER REFERENCE NUMBER 4461-004



SERIES 5000 WINDOWS

SERIES 5000 WINDOWS: STANDARD NAIL ON - CASEMENT WITH CRANK HANDLE CONTOUR, BUTT HINGES, MULTIPOINT LOCK