



Note: Opening should be flashed with the appropriate flashing material to meet industry standards. Please refer to Federal Specification UU-B-790a and AAMA 2400-02.

1. Verify that the rough opening is the correct size to assure the door will fit in the opening. (Rough opening should be  $\frac{1}{2}$ " bigger on the width and  $\frac{1}{4}$ " bigger on the height than the net door size).
2. Prepare rough opening as shown in Figure 1a and using steps A through C.
  - A. 12" Sill Wrap (3" wrapped into opening); Overlaps with sill self-adhering sheet membrane (SASM) will be by 1"-
  - B. 12" Jamb SASM (3" wrapped into opening), overlaps Sill SASM by 1" and runs 2" beyond header opening
  - C. 6" Header Wrap (3" wrapped into opening), overlaps jamb SASM by 1"
  - D. Apply a  $\frac{3}{8}$ " bead of sealant around the perimeter of the bottom side of the sill pan as shown in figure 1b. Apply glue on the sill in the opening to secure the sill pan. (Skip if door has ADA Sill)

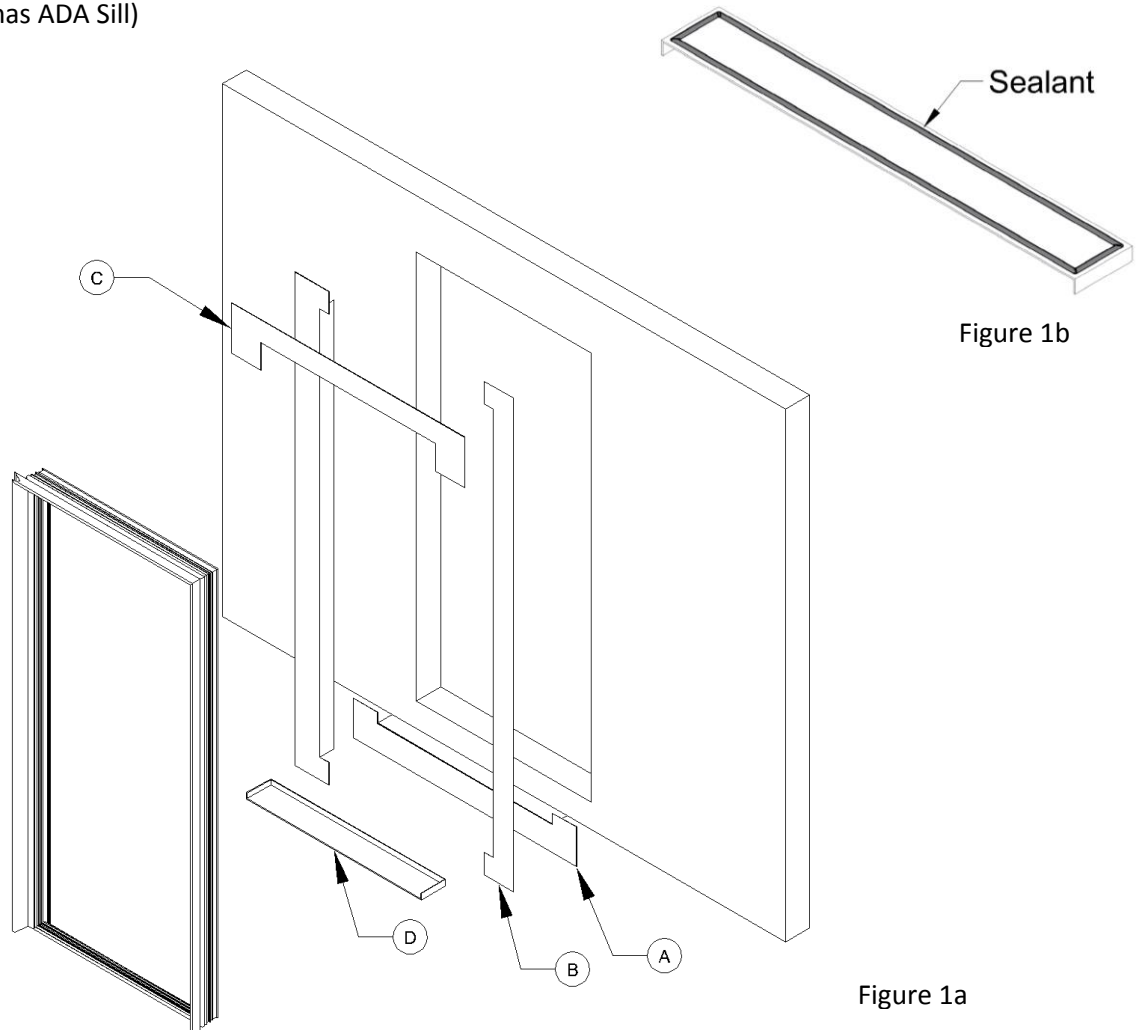


Figure 1b

Figure 1a

3. Clean the nail fin on the interior side with a moist rag (wetted with water) so that it is free from dirt and other construction debris and dry it with a dry clean rag or allow it to air dry.
4. Apply a continuous bead of sealant on the nail fin (interior side as shown in figure 2a) around the perimeter of the head and jambs as shown in figure 2b. (Sealant should conform to AAMA 802.3-16 and 803.3-16)

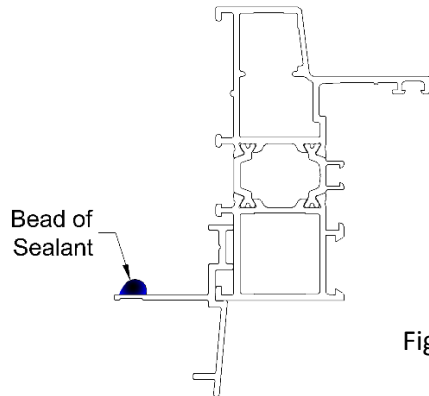


Figure 2a

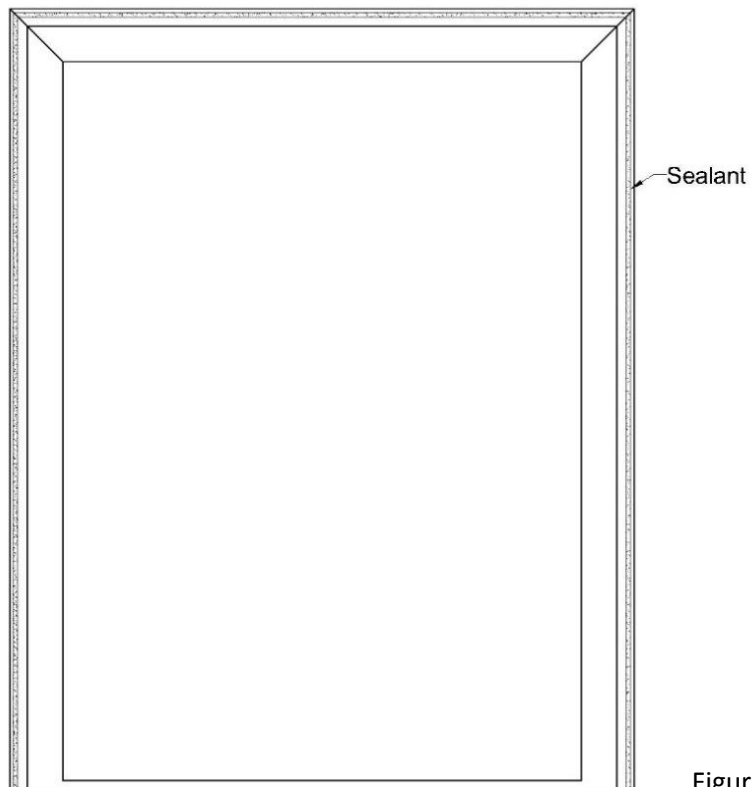


Figure 2b

5. Apply a continuous bead of sealant across the entire sill of the opening where the door frame will sit as shown in figure 3a and 3b. (Sealant should conform to AAMA 802.3-16 and 803.3-16)

**Standard Sill**

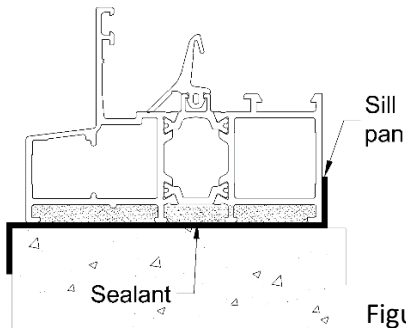


Figure 3a

**Low Profile Sill**

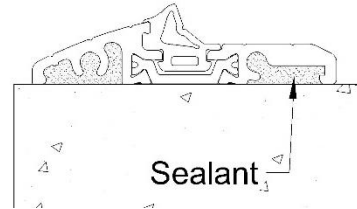


Figure 2b

6. Insert the door frame into the opening. Frame sill should sit level in the opening.
7. Use shims as necessary to adjust the door frame so that the door frame is plumb, level and square in the opening.
8. Secure door frame using self-tapping screws. Install screws on the linear fin indicator as shown in figure 4a; spacing should be as shown in figure 4b where A = 12" and B = 4"

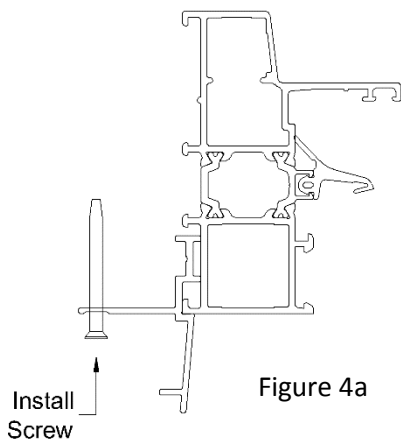


Figure 4a

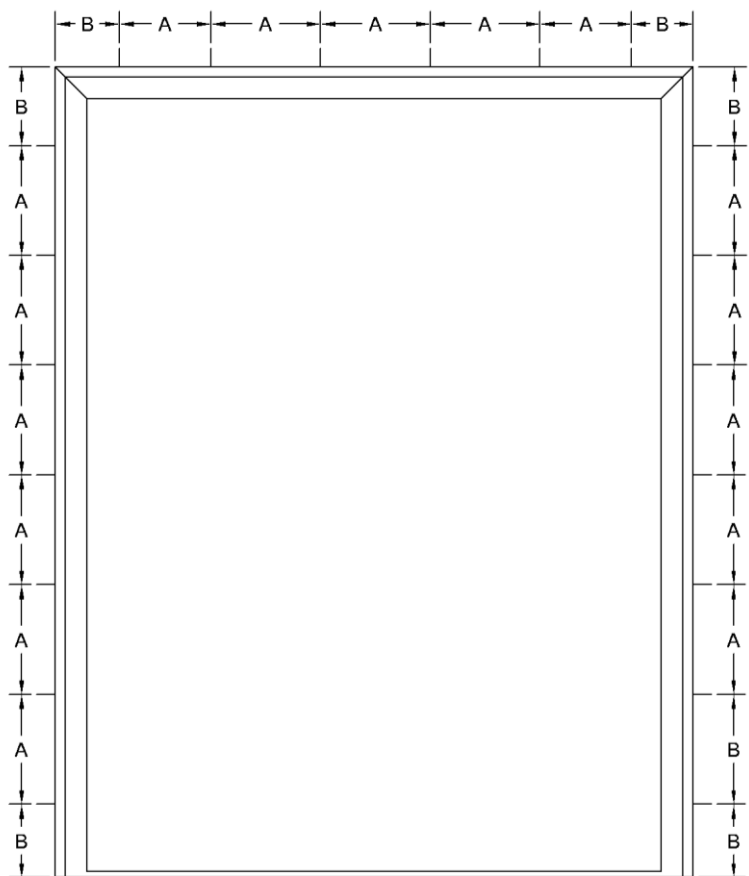


Figure 4b

9. Add #12 x 2 ½" stainless steel screws through the door frame 2" above and below the hinge points. Make sure there are shims at the screw points to avoid distortion of the frame. (Shown in figures 5a and 5b)

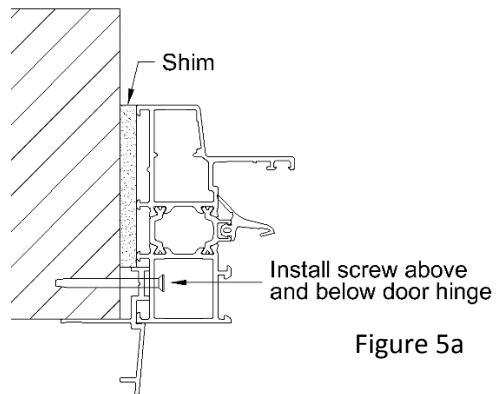


Figure 5a

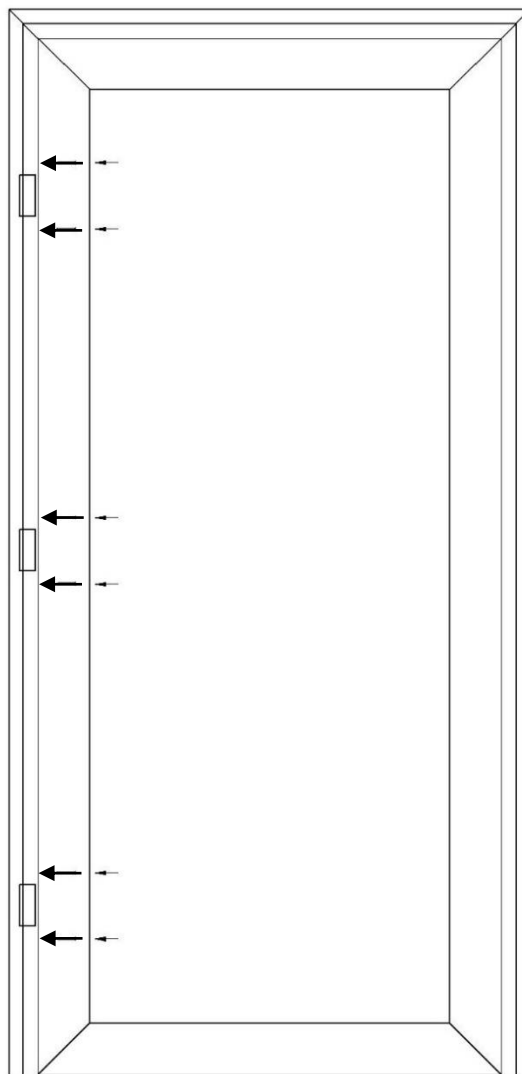


Figure 5b

- Remove hinge cap prior to sash installation (shown in figure 6a). Do not lose hinge caps as they will be needed to lock hinge adjustments later. After removing hinge caps install the sash into the door frame (shown in figure 6b).

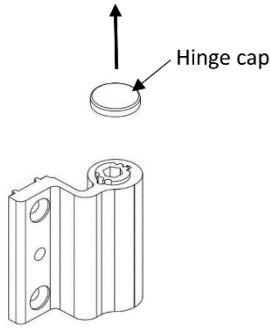


Figure 6a

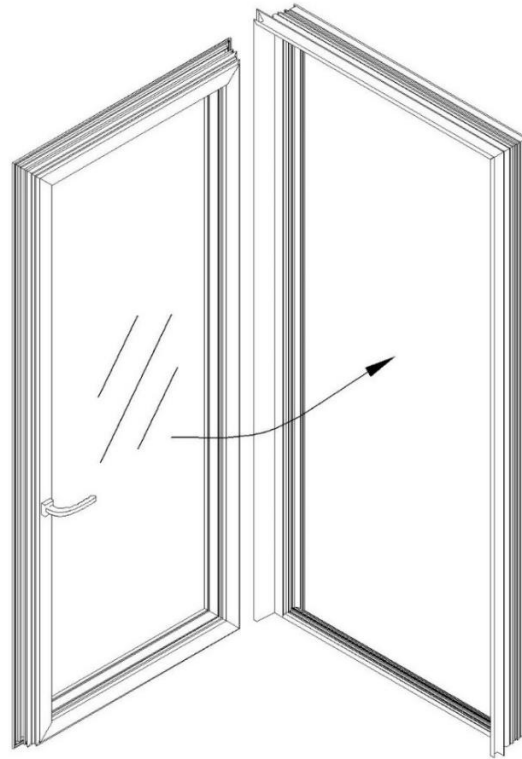


Figure 6b

- After the sash is installed into the door frame make final adjustments to the hinges as shown in figure 7. Turning the hinge clockwise will move the sash towards the keepers, turning the hinge counter clockwise will move the sash away from the keepers. After hinges have been adjusted install hinge caps to lock the adjustments made.

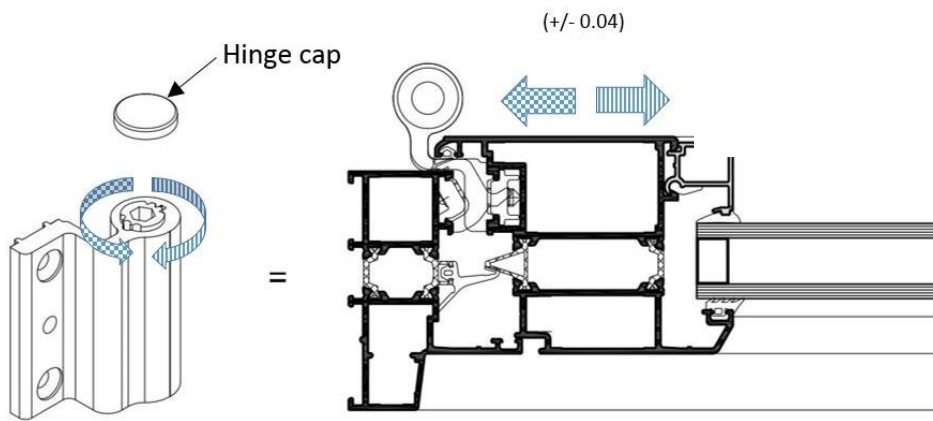


Figure 7

- Operate the sash to assure that it operates properly.
- Re-check door frame and sash to assure that it's plumb and square.